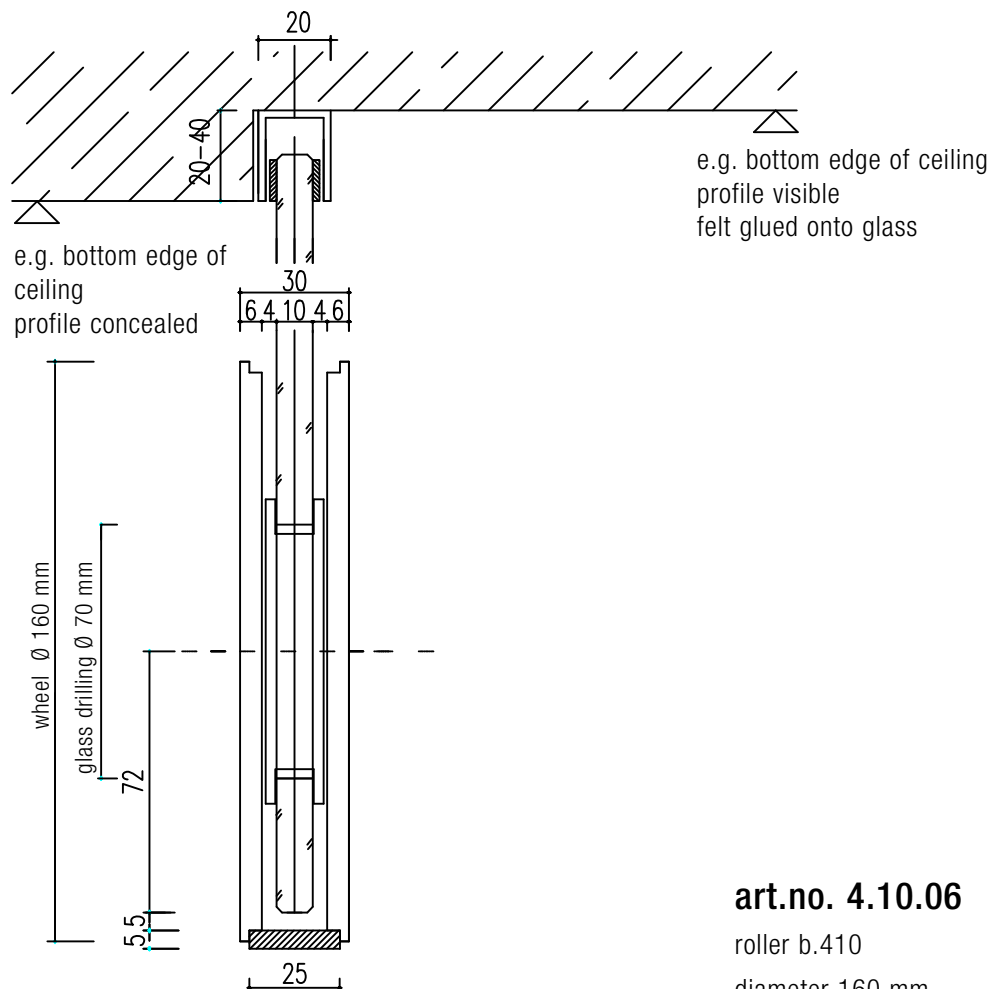


technical drawings

stainless steel roll fitting for sliding doors
 astec b.410 - eingetr. no. 202 19 810.3 german patent office

11.11.2011

alu u-profile 20/40/2 mm
 anodised EV1



art.no. 4.10.06

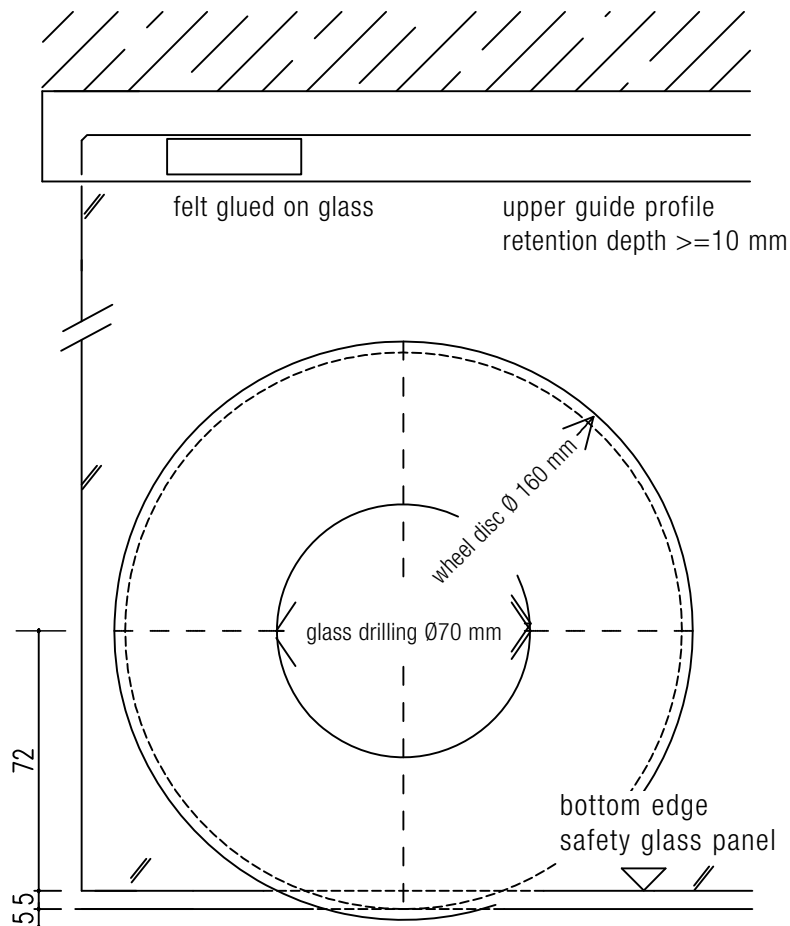
roller b.410
 diameter 160 mm

art.no. 9.07.17

floor track stainless steel b.410
 undrilled, 25/5 mm

art.no. 9.07.46

floor track stainless steel b.410
 drilled, 25/5 mm



art.no. 4.10.06

roller b.410

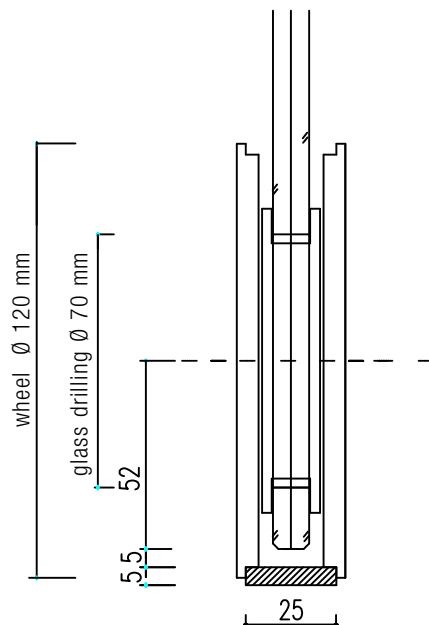
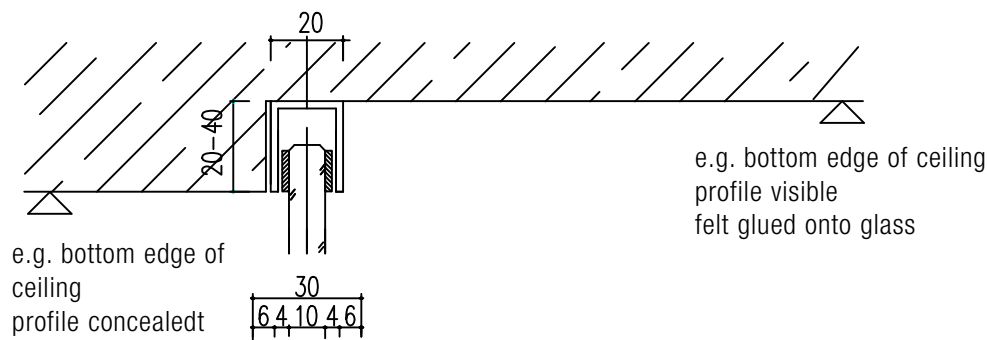
diameter 160 mm

technical drawings

stainless steel roll fitting for sliding doors
 astec b.410 - eingetr. no. 202 19 810.3 german patent office

11.11.2011

alu u-profile 20/40/2 mm
 anodised EV1



art.no. 4.10.07

roller b.410
 diameter 120 mm

art.no. 9.07.17

floor track stainless steel b.410
 undrilled, 25/5 mm

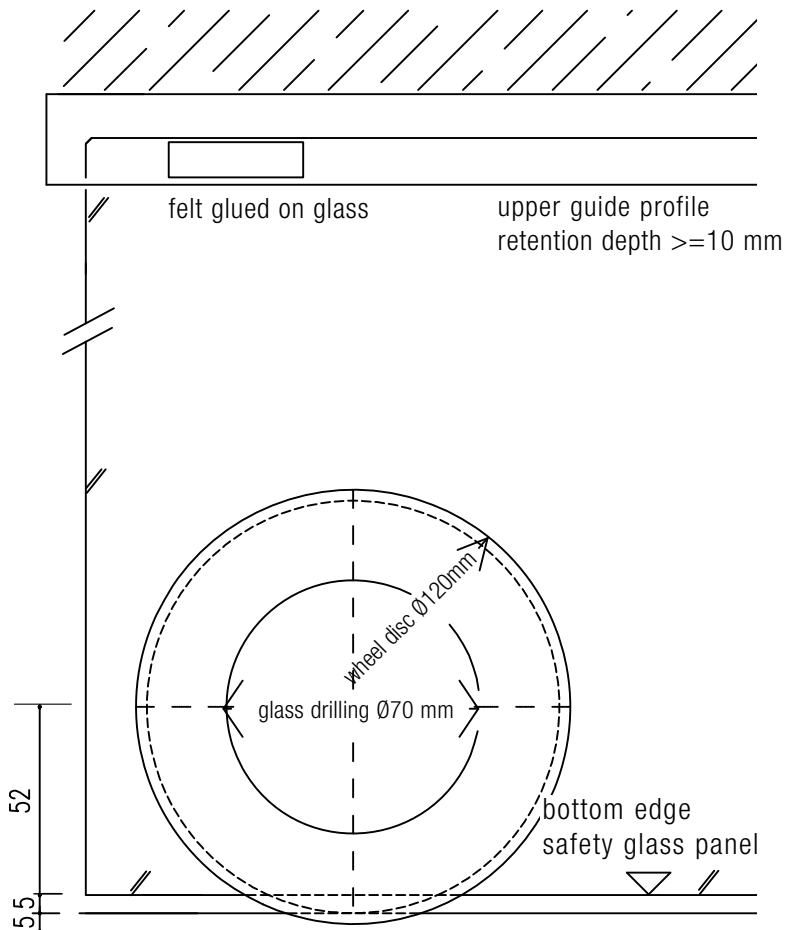
art.no. 9.07.46

floor track stainless steel b.410
 drilled, 25/5 mm

technical drawings

stainless steel roll fitting for sliding doors
 astec b.410 - eingetr. no. 202 19 810.3 german patent office

11.11.2011



art.nr. 4.10.07

roller b.410

diameter 120 mm

page 4

