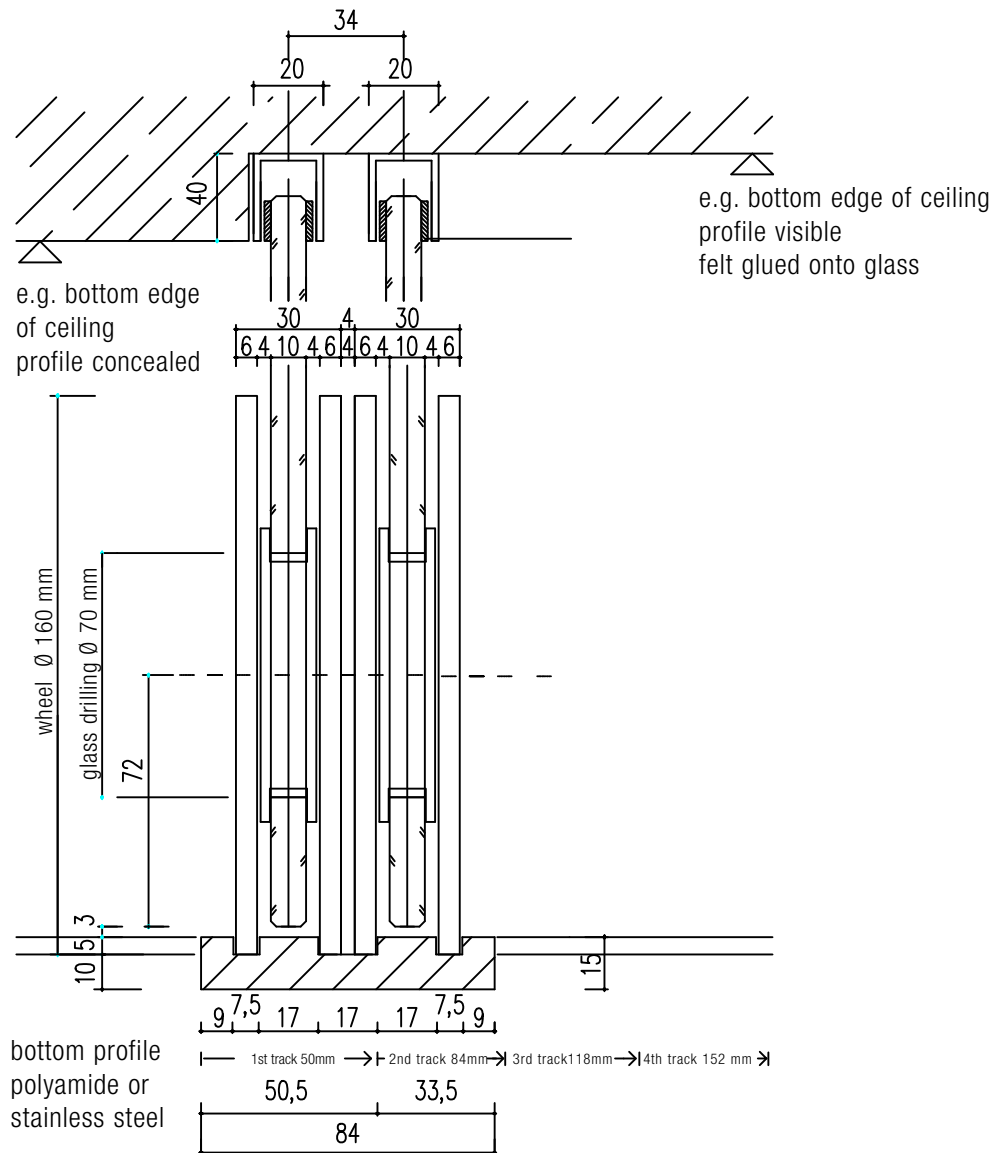


technical drawings

stainless steel roll fitting for sliding doors
 astec b.400 - registered no. 202 19 810.3 german patent office

28.09.2011

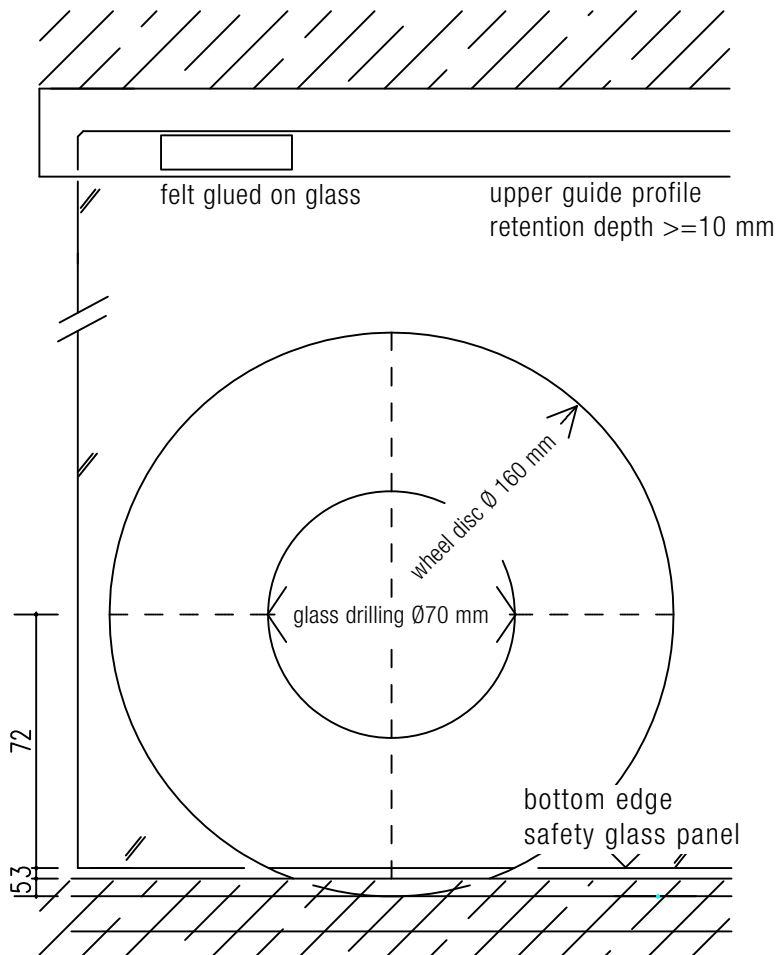
alu u-profile 20/40/2 mm
 anodised EV1



art.no. 4.00.06

roller b.400

diameter 160 mm



art.no. 4.00.06

roller b.400

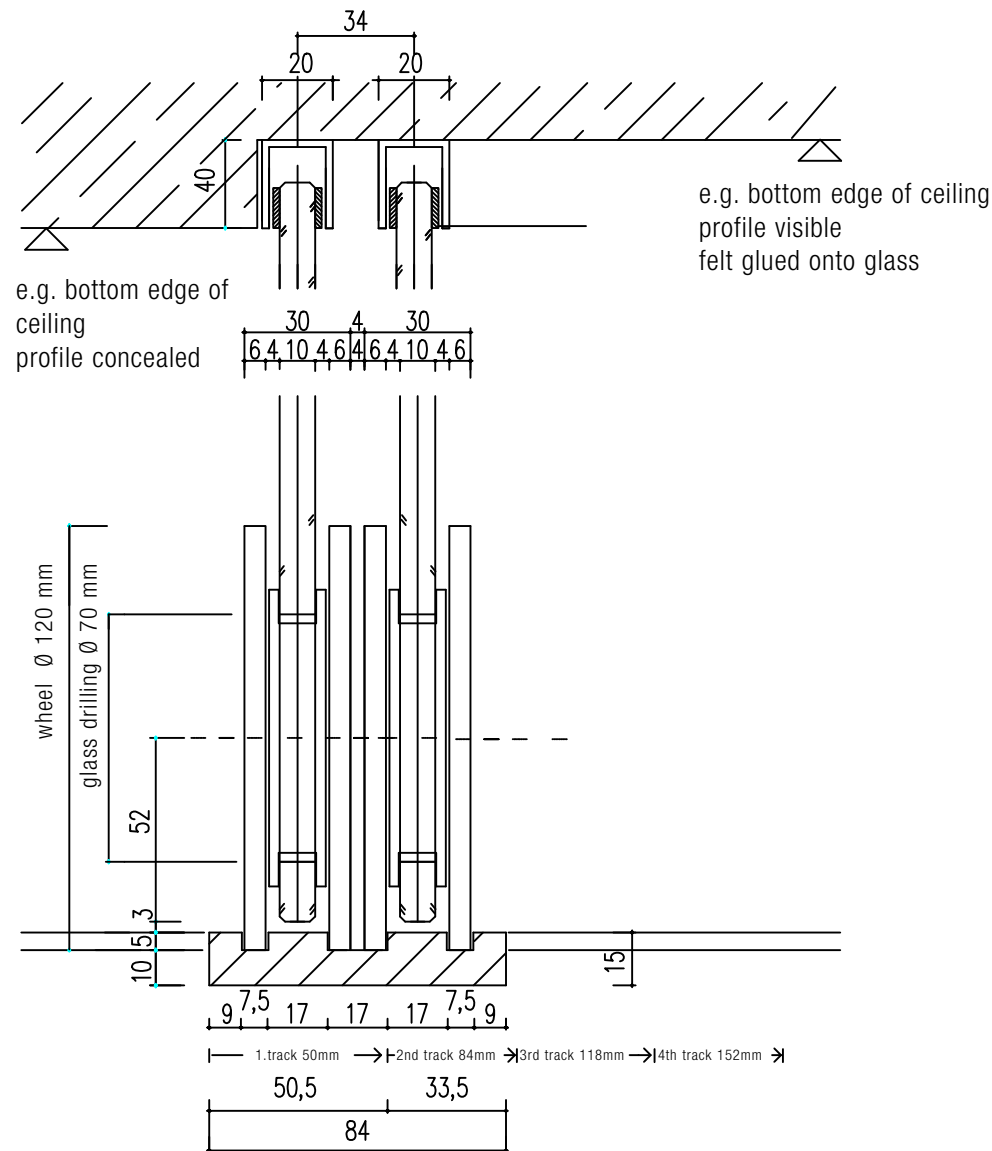
diameter 160 mm

technical drawings

stainless steel roll fitting for sliding doors
 astec b.400 - registered no. 202 19 810.3 german patent office

28.09.2011

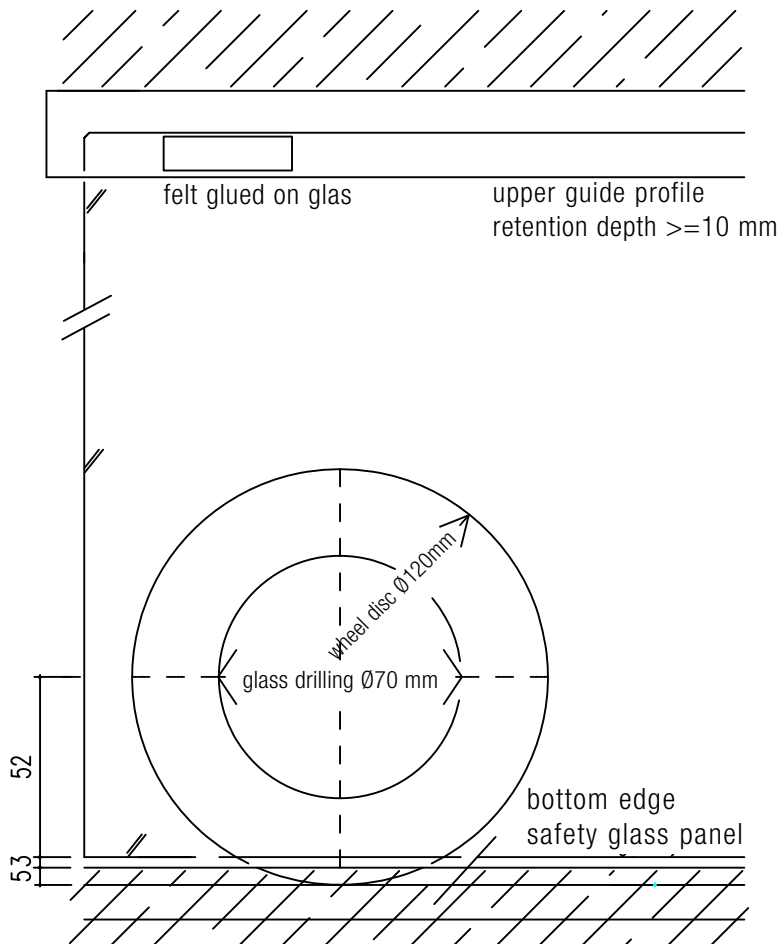
alu u-profile 20/40/2 mm
 anodised EV1



art.no. 4.00.07

roller b.400

diameter 120 mm



art.no. 4.00.07

roller b.400

diameter 120 mm

technical drawings

stainless steel roll fitting for sliding doors
 astec b.400 - registered no. 202 19 810.3 german patent office

28.09.2011

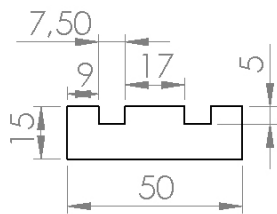
floor tracks polyamide

color grey

color black

art.no.

art.no.



9.07.01

9.07.26

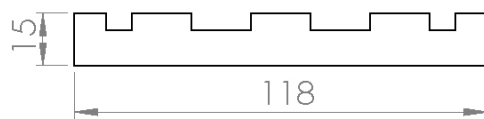
1-track



9.07.02

9.07.27

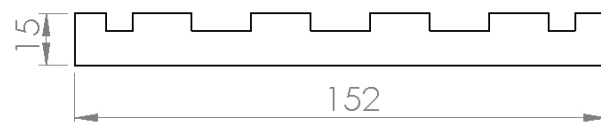
2-track



9.07.03

9.07.28

3-track



9.07.05

9.07.29

4-track

fabrication of floor tracks in hard wood on request.

maximal track length 3000 mm, overlengths are coupled.

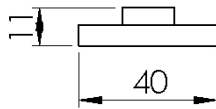
tracks are delivered undrilled on default.

technical drawings

stainless steel roll fitting for sliding doors
 astec b.400 - registered no. 202 19 810.3 german patent office

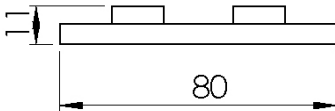
28.09.2011

floor tracks stainless steel

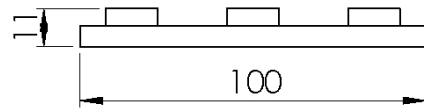


art.no.

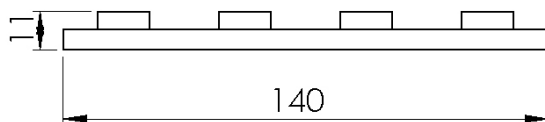
9.07.18 1-track



9.07.42 2-track



9.07.24 3-track



9.07.25 4-track

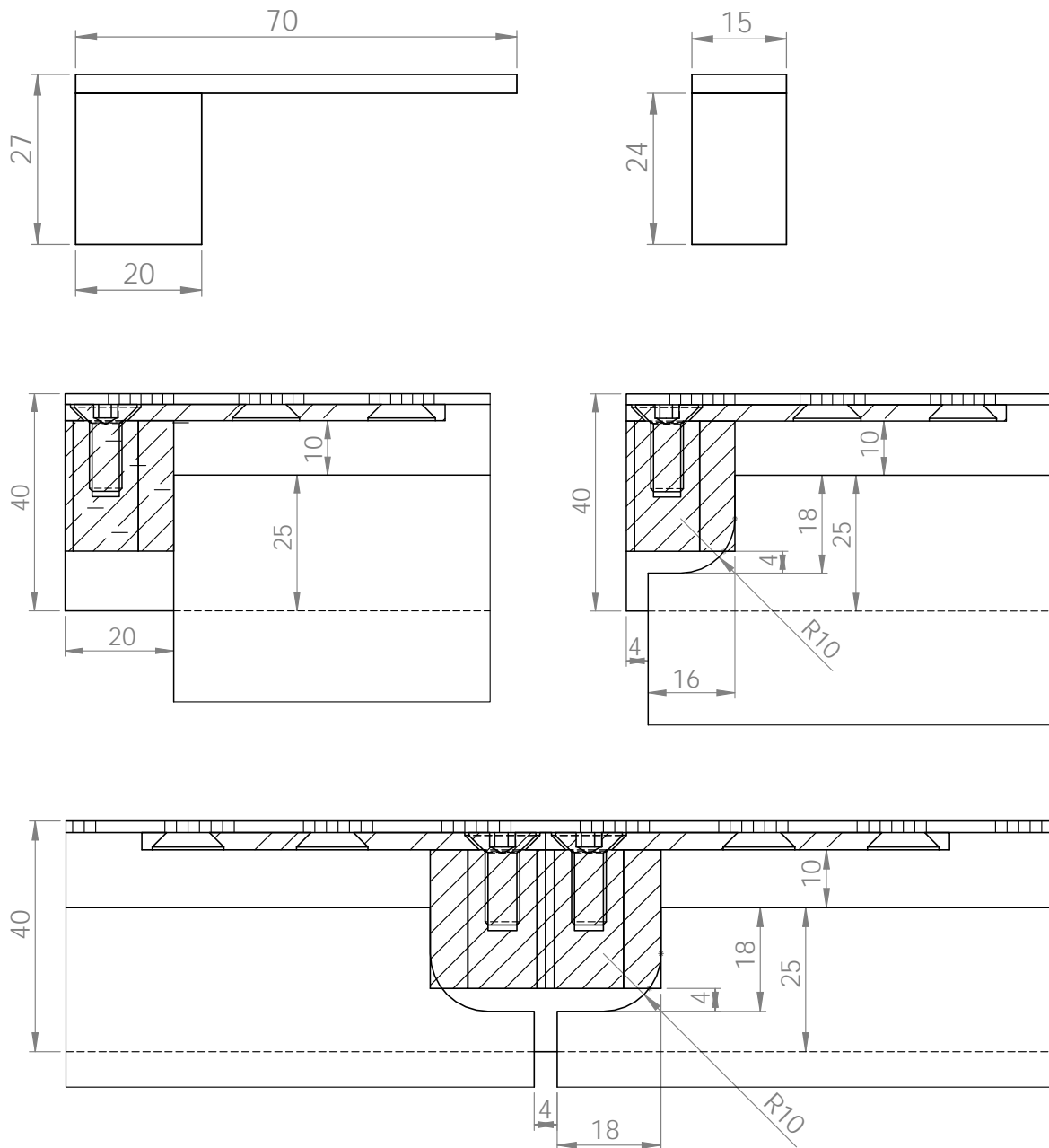
maximal track length 5900 mm, overlengths are coupled.

tracks are delivered undrilled on default.

technical drawings

stainless steel roll fitting for sliding doors
 astec b.400 - registered no. 202 19 810.3 german patent office

28.09.2011



art.no. 9.08.37

end stop in alu u-profile 40/20 mm